

"Cair" Offers Manual (Handle / Gear) Operated Damper Valve for flow Control of Air & Gas.

Size Range : 1.1/2" To 20"

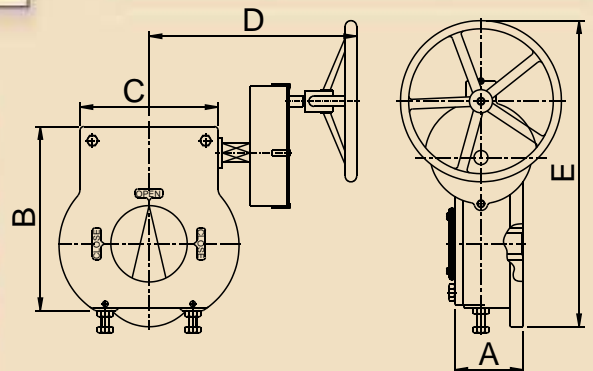
Valve	Technical Specifications :
Body	C.I. (IS 210 Gr. FG 200 / 220) WCB
Disc	CF8 / CF8M / CF3M / WCB / Powder Coated
Seat	Metal to Metal
Shaft	AISI 410 / ASTM A351 / CF8 / CF8M / CF3M
Valve Type	Centric Disc Butterfly Valve with Metal to Metal
Body Type	Short Wafer (Sandwiched between flanges)
Seat Type	Metal to Metal
End Connection	Wafer Sandwiched (Lug Type On Request)
Pressure Rating	PN 10 (Maximum)
Oper. Temp. Range	-25 °C to 200 °C (depending on MOC) Upto 600 °C
Seat Leakage	Tight shut off (Batter then Class) 0.5%
Operation	Hand lever for sizes form 40 MM to 150 MM Worm gear boxes for 200 MM to 300 MM



Test Pressure		
Testing	Body	Seat
Hydraulic	0.5 Kg/cm ²	5% Leakage

Dimensions : (All Dimensions are in mm)

Valve Model	Valve Size	A	B	C	D	E
AT - 20	1.1/2 to 10"	48	48	78	180	181
AT - 25	12" to 14"	62	62	98	240	233
AT - 30	16" to 18"	68	68	119	285	318
AT - 40	-	83	83	116	300	318
AT - 50	20" to 36"	75	75	140	305	409
AT - 60	40" to 48"	84	84	180	320	425



Dimensions : (All Dimensions are in mm)

Valve Model	Size		A	B	C	D	E	L	Weight (Approx)
	MM	Inch							
DP - 40	40	1.1/2"	58	103	33	40	124	178	2
DP - 50	50	2"	60	117	43	50	138	178	3
DP - 65	65	2.1/2"	67	122	46	65	143	178	4
DP - 80	80	3"	75	129	46	80	150	178	5
DP - 100	100	4"	97	149	57	100	176	265	6
DP - 125	125	5"	108	158	56	125	188	265	6.5
DP - 150	150	6"	120	174	56	150	206	265	9
DP - 200	200	8"	147	198	60	200	230	375	12
DP - 250	250	10"	218	270	68	245	316	-	-
DP - 300	300	12"	246	287	78	292	369	-	-
DP - 350	350	14"	286	325	80	340	449	-	-
DP - 400	400	16"	292	355	102	390	459	-	-
DP - 450	450	18"	322	358	89	450	528	-	-
DP - 500	500	20"	386	415	92	480	612	-	-

